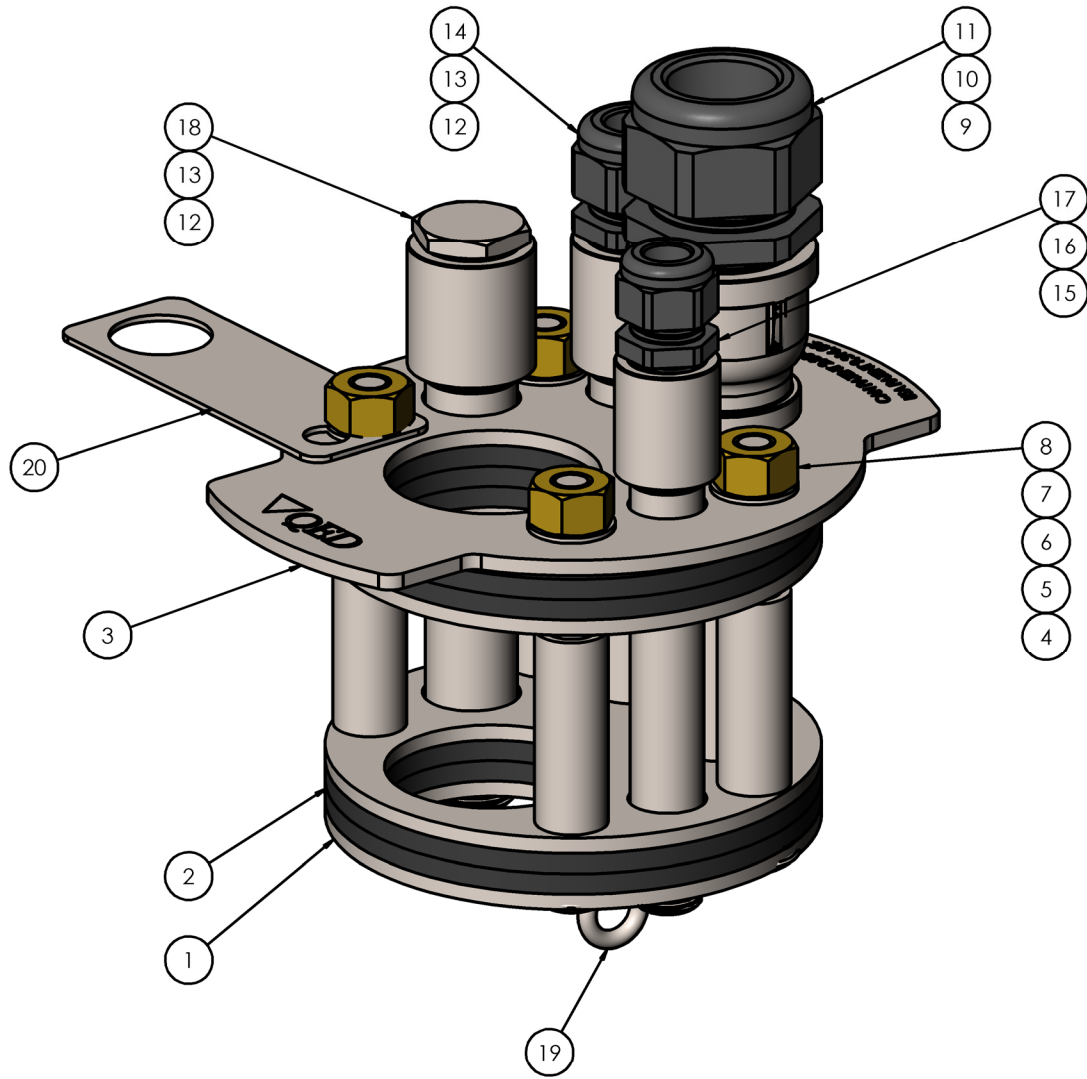



THE INFORMATION CONTAINED IN THIS DRAWING IS THE SOLE PROPERTY OF Q.E.D. ENVIRONMENTAL. ANY REPRODUCTION IN PART OR WHOLE WITHOUT THE WRITTEN PERMISSION OF Q.E.D. ENVIRONMENTAL IS PROHIBITED.

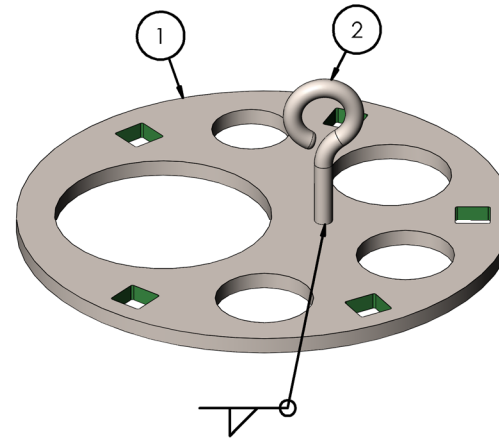
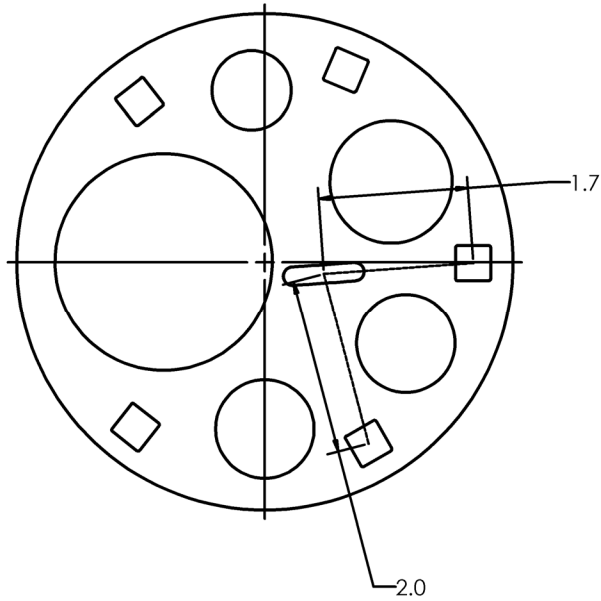


APPLICATION CONFIRMATION
 WELL CAP IS DESIGNED FOR:
 • 6 IN SCH 80 PVC WELL CASING APPROX INSIDE ϕ 5.761 IN
 • 6 IN HDPE DR17 WELL CASING APPROX INSIDE ϕ 5.799 IN

ITEM	PART NUMBER	DESCRIPTION	QTY.
1	625-3-CP R2	Clamp Plate	3
2	625-3-GA R1	Rubber Gasket	5
3	625-3-TP R3	Top Plate	1
4	CB50	Carriage Bolt	5
5	RW50	Retaining Washer	5
6	S50	Spacer	5
7	W50	Narrow Flat Washer	5
8	N50	Hex Nut, Brass	5
9	P-SS40-100-TBE	1 in NPT-M Port	1
10	RC-SS-125-100	RED. COUPLING 1-1/4 TO 1 IN	1
11	CF-NY-125-100	Cable Gland 1-1/4in	1
12	P-SS40-75-TBE	3/4in NPT-M Port	2
13	COUP-SS-75	3/4in NPT Coupling	2
14	CF-NY-75-58	Cable Gland 3/4in	1
15	P-SS40-50-TBE	1/2in NPT-M Port	1
16	COUP-SS-50	1/2in NPT Coupling	1
17	CF-NY-50-50	Cable Gland 1/2in	1
18	PLUG-SS-75	3/4in NPT-M Plug	1
19	PH25	SUSPENSION HOOK	1
20	WCA PRB	Mount for Regulator	1

<small>UNLESS OTHERWISE SPECIFIED: DIMENSIONS ARE IN INCHES DIM & TOL STD 1 (ASME Y14.5-1994) CENTERLINE VARIANCE STD 1 (ASME Y14.5-1994) HOLE TOLERANCE STD 1 (ASME Y14.5-1994) BURN & EDGES STD 1 (ASME Y14.5-1994) THREADS STD 1 (ASME Y14.5-1994) SURFACE ROUGHNESS STD 1 (ASME Y14.5-1994) UNFINISHED SURFACES TO 1 (ASME Y14.5-1994)</small>	DRAWN BY IM	DATE 8/4/16	 2355 BISHOP CIRCLE W, DEXTER, MI. 48130
	CHECKED BY -	DATE -	
	APPROVED BY -	DATE -	
NEXT ASSY -	MATERIAL -	TITLE 6 IN WELL CAP ASSEMBLY, 2 IN GAS PIPE, 5 PORTS	
USED CON	FINISH -	DWG. NO. 625-3-WCA-SUBM	REV 3
SCALE 1:2		SHEET 1 OF 2	

THE INFORMATION CONTAINED IN THIS DRAWING IS THE SOLE PROPERTY OF Q.E.D. ENVIRONMENTAL ANY REPRODUCTION IN PART OR WHOLE WITHOUT THE WRITTEN PERMISSION OF Q.E.D. ENVIRONMENTAL IS PROHIBITED.



ORIENT EYE BOLT
APPROXIMATELY AS SHOWN

ITEM	PART NUMBER	DESCRIPTION	QTY
1	625-3-CP R2	Clamp Plate	1
2	PH25	Trimmed Eye Bolt	1

UNLESS OTHERWISE SPECIFIED:
DIMENSIONS ARE IN INCHES
DIM & TOL STD 1 (ASME Y14.5-1994)
CENTERLINE VARIANCE STD 1 (ASME Y14.5-1994)
HOLE TOLERANCE STD 1 (ASME Y14.5-1994)
BURN & EDGES STD 1 (ASME Y14.5-1994)
THREADS STD 1 (ASME Y14.5-1994)
SURFACE ROUGHNESS STD 1 (ASME Y14.5-1994)
G-RING GEOMETRY STD 1 (ASME Y14.5-1994)

DRAWN BY	DATE
IM	8/4/16
CHECKED BY	DATE
-	-
APPROVED BY	DATE
-	-

QED
2355 BISHOP CIRCLE W, DEXTER, MI. 48130

TITLE
6 IN WELL CAP
ASSEMBLY, 2 IN GAS
PIPE, 5 PORTS

NEXT ASSY -	MATERIAL -	DWG. NO. 625-3-WCA-SUBM	REV. 3
USED ON -	FINISH -	SCALE 1:1	SHEET 2 OF 2