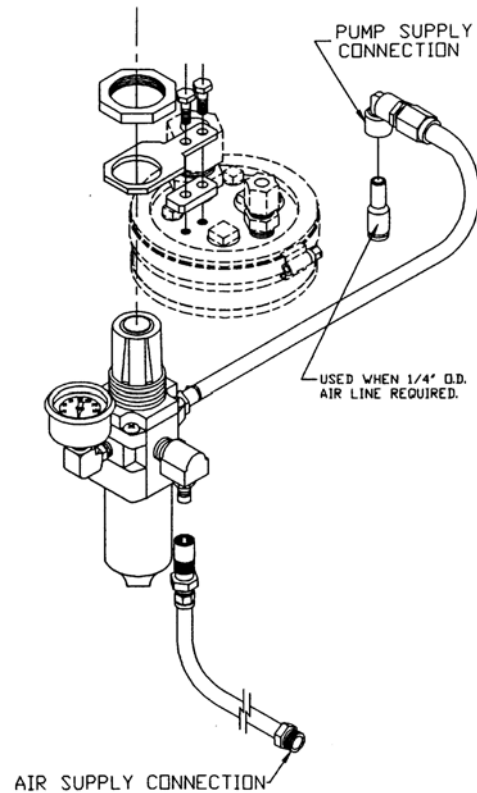


## Filter / Regulator Installation

### Installation For Vacuum Cap

1. Install regulator / gage to cap.
2. Attach spacer and bracket to cap using the two 1/4 hex bolts (supplied).
3. Slide the regulator through the bracket.
4. Thread the plastic nut to the regulator and tighten.
5. Attach the hose from the regulator to the pump's air supply line.
6. Attach the other hose to the supply line.
7. Attach the other end to the regulator using the quick connect fitting.

**NOTE:** 1/4" nuts and 1/4" washers are not used.



### Installation For Slip Fit Cap

1. Install regulator / gage to cap.
2. Attach spacer and bracket to cap using the two 1/4 hex bolts (supplied).
3. Slide the regulator through the bracket.
4. Thread the plastic nut to the regulator and tighten.
5. Attach the hose from the regulator to the pump's air supply line.
6. Attach the other hose to the supply line.
7. Attach the other end to the regulator using the quick connect fitting.

**NOTE:** Spacer is not used.

